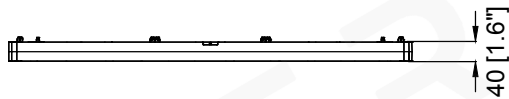
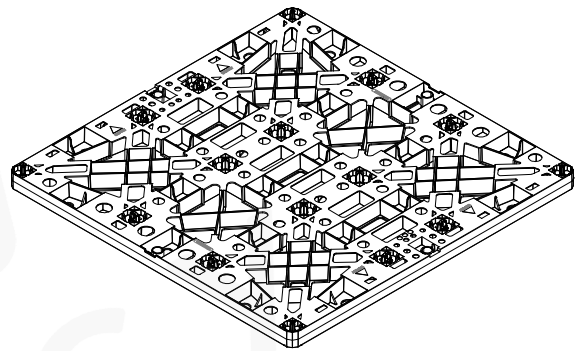
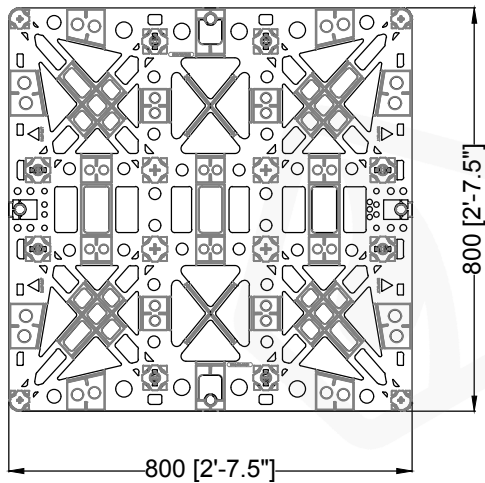


A = 55 mm (DN110) / 30 mm (DN160) / 10 mm (DN200)
B = 10 mm (DN110)
C = 170 mm (DN110)
D = 125 mm (DN110) / 100 mm (DN160) / 80 mm (DN200)

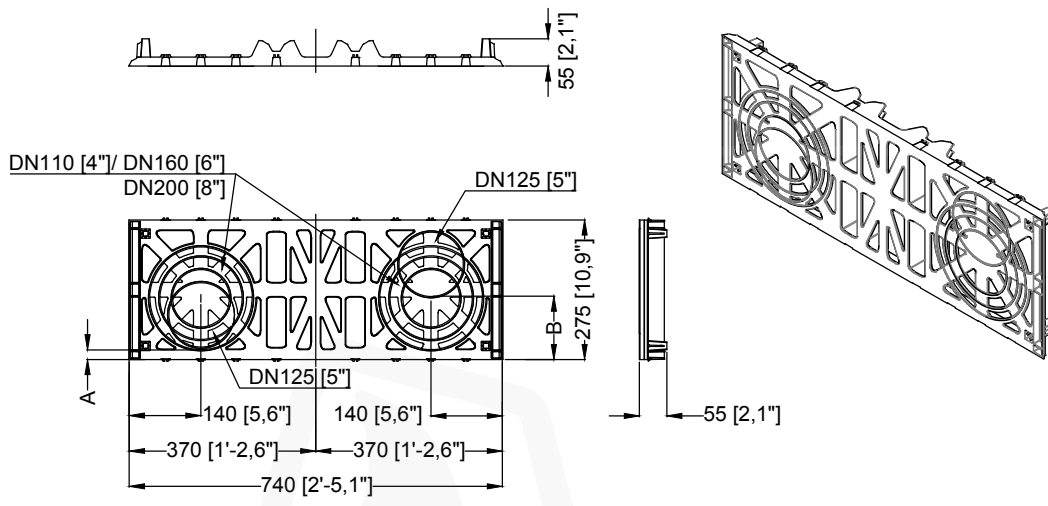
A = 2.2" [4"] / 1.2" [6"] / 0.4" [8"]
B = 0.4" [8"]
C = 6.7" [4"]
D = 4.9" [4"] / 3.9" [6"] / 3.1" [8"]



D		<b>GRAF EcoBloc Inspect flex</b>		Artikel-Nr. product no. article no. articulo no.	<b>402005</b>
GB	GRAF EcoBloc Inspect flex	ES	GRAF EcoBloc Inspect flex	FR	GRAF EcoBloc Inspect flex
revised	revised	revised	revised	revised	revised
gezeichnet drawn	ISC	Gewicht weight	ca.8 kg	Otto Graf GmbH Carl-Zeiss-Str. 2-6 DE-79331 Teningen mail@graf.info www.graf.info	
Datum date	2019.02.11	Toleranz tolerance	+/- 3%		
Maßstab scale	M 1:15	Einheiten units	mm [inch] gal. = US gal.		



D		<b>GRAF EcoBloc Inspect Bodenplatte</b>		Artikel-Nr. product no. article no. articulo no.	<b>402006</b>	
GB	<b>GRAF EcoBloc Inspect baseplate</b>	ES	<b>GRAF EcoBloc Inspect base</b>	FR	<b>GRAF EcoBloc Inspect plaque de fond</b>	revision
gezeichnet drawn	ISC	Gewicht weight	4 kg	Otto Graf GmbH Carl-Zeiss-Str. 2-6 DE-79331 Teningen mail@graf.info www.graf.info		
Datum date	2019.02.14	Toleranz tolerance	+/- 3%			
Maßstab scale	M 1:15	Einheiten units	mm [inch] gal. = US gal.			



A = 65 mm (DN110) / 40 mm (DN160) / 25 mm ( DN125) /20 mm (DN200)
B = 125 mm (DN125)
A = 2.6" [4"] / 1.6" [6"] / 1" [5"] / 0.8" [8"]
B = 4.9" [5"]



D		GRAF EcoBloc Inspect Endplatte (Set 2 Stück)		Artikel-Nr. product no. article no. articulo no.	402002
GB	GRAF EcoBloc inspect endplate (set 2 pcs.)	ES	GRAF EcoBloc inspect placas laterales (set 2 piezas)	FR	GRAF EcoBloc inspect parois (lot 2 pièce)
				revision	
gezeichnet drawn	ISC	Gewicht weight	1,5 kg	Otto Graf GmbH Carl-Zeiss-Str. 2-6 DE-79331 Teningen mail@graf.info www.graf.info	
Datum date	2019.05.21	Toleranz tolerance	+/- 3%		
Maßstab scale	M 1:15	Einheiten units	mm [inch] gal. = US gal.		